

# biard

BLBH17R

BLBH17S

## Installation Guide

### **Contents**

Safety Information **Page - 2**

Installation **Page - 3**

Warranty Information **Page - 5**

Recycling & Disposal **Page - 5**

# Safety Information

---

## *Please read carefully...*

- ✓ Switch off the power while installing this product
- ✗ Do not use this product with a dimmer switch.
- ✓ We recommend installation is performed by a qualified electrician.
- ✓ Avoid looking directly into the light when switched on.
- ✗ Do not modify this product, this will invalidate your warranty.
- ✗ Read all the instructions in the manual before beginning installation if in doubt use a qualified electrician.
- ✓ IP54 - For indoor and outdoor use.
- ✓ Inspect the product for damage before installation.

---

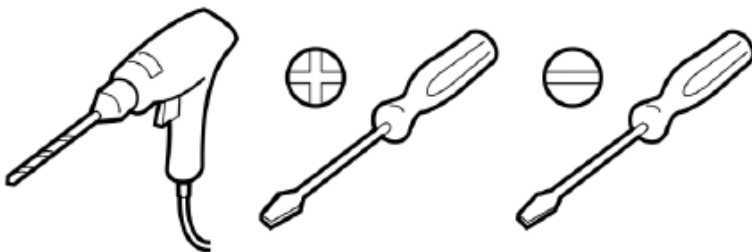
## Other Information

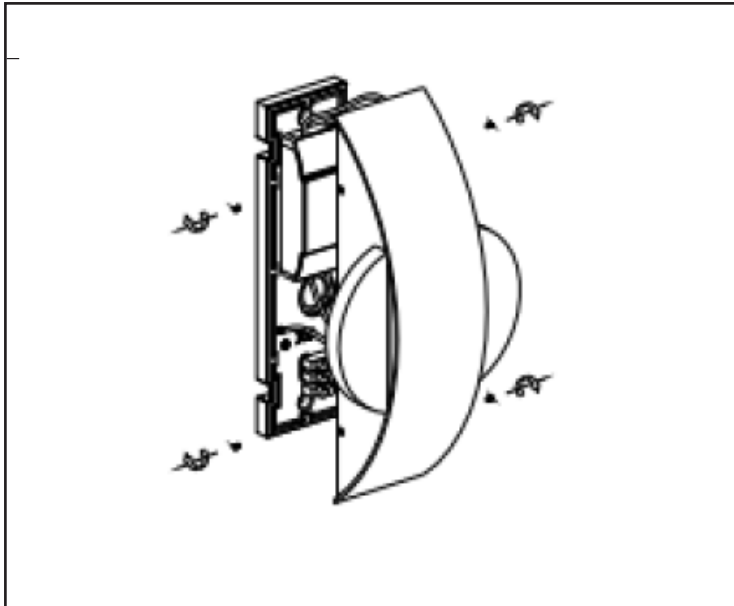
**Do not wire this lantern into the lighting circuit - use a switched fuse spur.  
This fitting must be earthed. contact a qualified electrician to install a suitable earth facility.  
For new installations, check for any electrical cables or pipe work (gas/water) in the vicinity of the intended mounting point for this product, before proceeding with the installation.**

### ***RISK OF FIRE***

Clearance required from Floor- Min 150cm  
Clearance from any flammable material - Minimum 150m

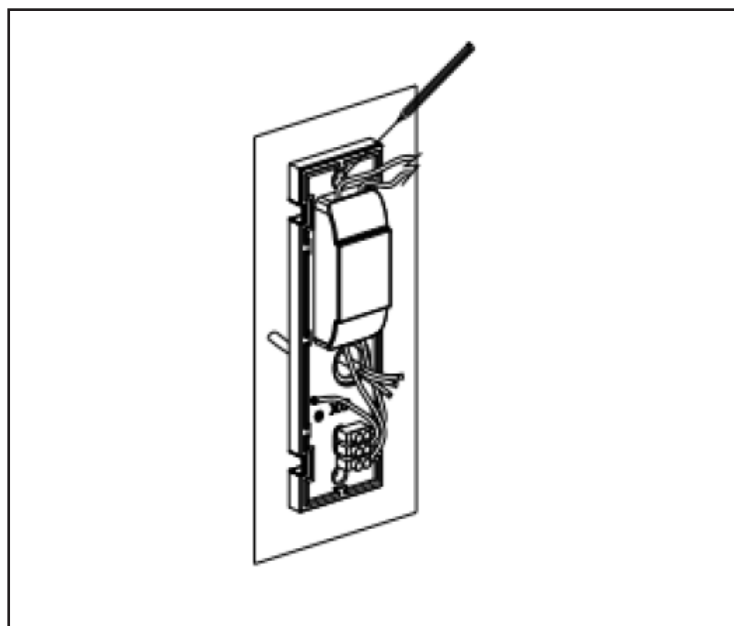
### ***Parts required-***



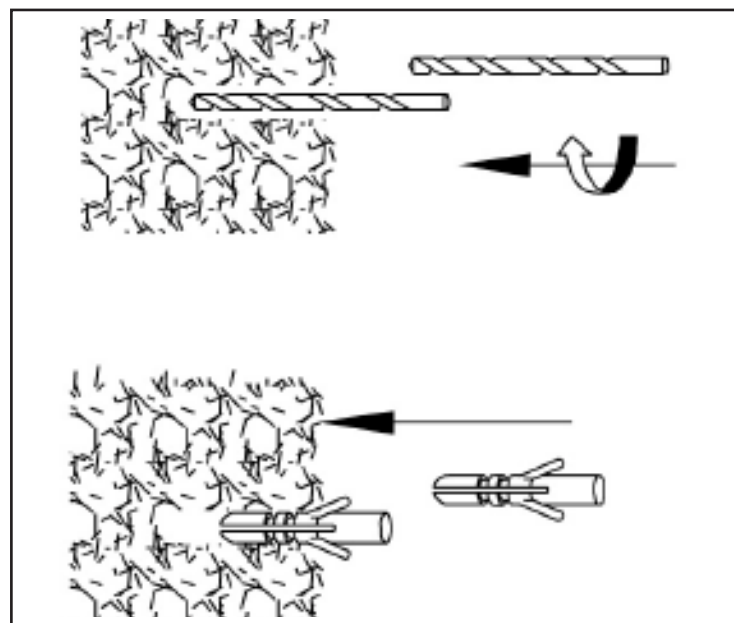


Choose a suitable fixing location ensuring that they will not be exposed to constant running water.

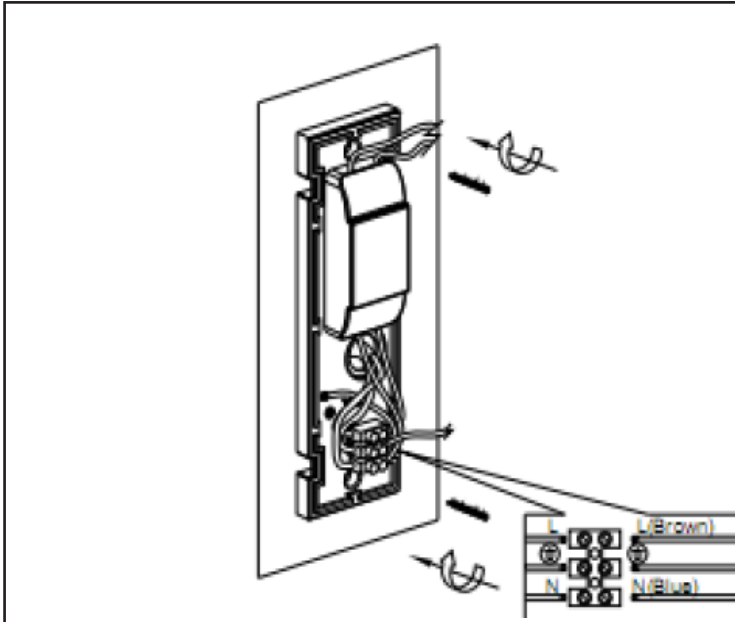
Remove the fixing plate by releasing the two retaining screws.



Mark out your drilling points using the wall plate as a template and pierce the cable entry hole making sure there are no jagged or sharp edges.



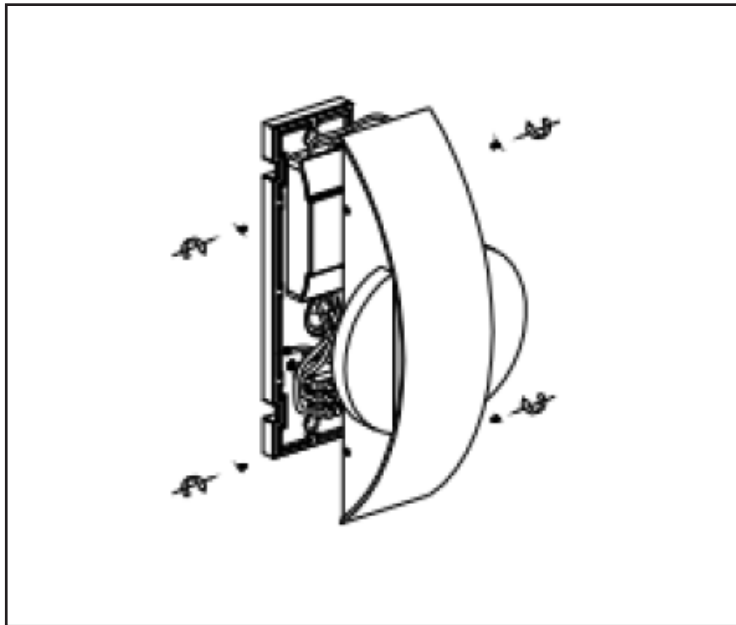
Drill out your fixing holes and insert wall plugs.



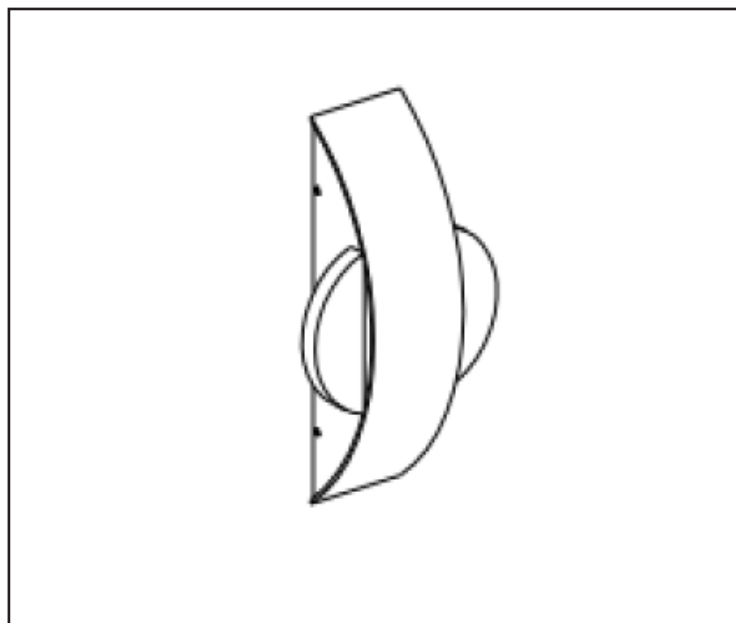
Feed the mains cable through the wall fixing plate, and connect to the terminal block on the light fitting as shown

**Connect the BROWN wire to the terminal block marked "L" (Live wire).**  
**Connect the BLUE wire to the terminal block marked "N" (Neutral wire).**  
**Connect the YELLOW/GREEN wire to the terminal block marked E (Earth wire)**

Then attach the fixing plate to the wall ensuring the wire is not trapped or pinned .



Attach the light fitting to the wall plate and insert the retaining screws to secure.



You can now turn on the power and use the fitting.

# Warranty Information

---

- *This product is covered by the standard indoor Biard 5 limited year warranty for any manufacturing faults.*
- *The warranty starts from the date of purchase.*
- *Labour costs for installation of the Product are not covered under this warranty.*
- *The warranty is only valid when products are properly installed and operated as specified in this manual and the data sheets.*
- *All warranty queries should be through the stockist that the product was purchased through.*

# Recycling & Disposal

---

**The Waste Electrical and Electronic Equipment Directive (WEEE Directive)** is the **European Community directive** 2012/19/EU on **Waste Electrical and Electronic Equipment (WEEE)** which, together with the **RoHS Directive** 2002/95/EC, became European Law in February 2003

The **WEEE** directive aims to reduce the amount of electrical equipment being produced and to encourage everyone to reuse, recycle and recover it.

In support of these guidelines and for environmental safety, do not dispose of any electrical equipment including those marked with the below symbols

When replacing old electrical devices with new ones the retailer is legally obligated to take back your old items for disposal free of charge. You can also recycle your old electrical devices free of charge at your local recycling centre. Please contact your local council for more information.



Consult instructions for use